

# ADPS

All-In-One Self-Priming  
Booster Pump



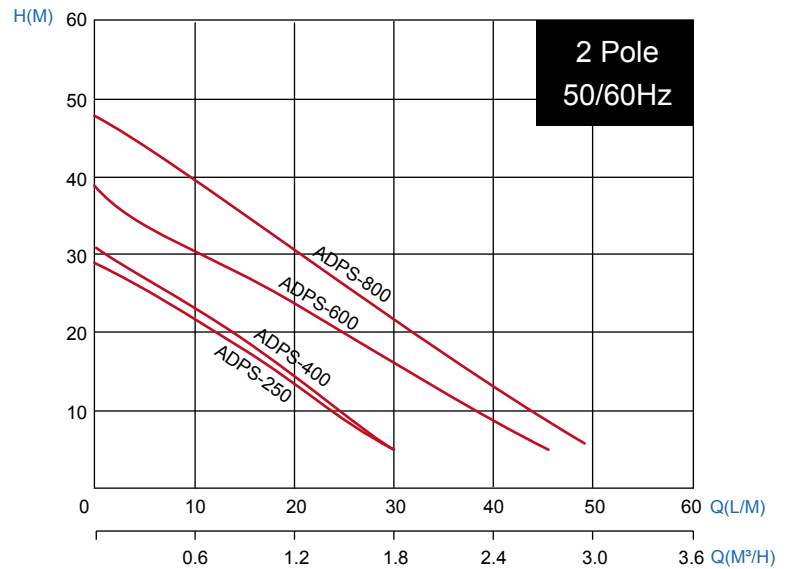
- **DPS digital pressure switch LCD display**
- **Dry run protection**
- **Auto re-start**

## Operating Conditions

- Liquid temperature up to 60°C
- Ambient temperature up to 40°C
- Continuous duty
- Max. 8M self-priming suction lift

Motor Part	Phase	Single Phase
	Type	Heavy Duty Continuous Work
	Insulation	Class B
	Protection	IP 54
	Cooling	External Ventilation
	Motor Housing	Aluminum
Pump Part	Pump Body	Cast Iron
	Impeller	Brass
	Mechanical Seal	CA/CE/NBR

## Performance Curve



## Technical Data (Single Phase 50/60Hz)

MODEL	INLET/OUTLET	POWER		On/Off Bar	W/DPS	Phase	Rated		Maximum		Weight (With 1M Cable) kg
	Inch	HP	kW				Head m	Cap. LPM	Head m	Cap. LPM	
ADPS-250	1"X1"	0.3	0.25	1	1.0~1.8	1PH	13	20.5	29	30	8.2
ADPS-400	1"X1"	0.5	0.4	2	1.4~2.8		13	21.5	31	30	8.5
ADPS-600	1"X1"	0.75	0.6	3	2.0~3.0		16	30	39	45.5	11.5
ADPS-800	1"X1"	1	0.8	4	2.8~4.0		19	33	48	49	12.5

# CLASSIC

## DPS-10 Series Digital Pressure Controller



### DPS-10 Series Digital Pressure Controller



Digital Pressure Controller can completely replace and outperform the pressure gauge-pressure switch kit on a pressure tank system and/or the pressure control device

### FEATURE



- LCD screen with different backlit colors for demonstrating pump status and for anytime view
- Digital Pressure Controller is characterized by its accuracy and high resolution
- Delayed Shutdown function - Prevention of overloading of maximum start
- Dry running protection
- Auto-restart in event of water shortage

### MODEL SELECTION

MODEL (MALE R 1/4")	MODEL (FEMALE G 3/8")	WORKING PRESSURE
DPS-10-A-M	DPS-10-A-F	1.0 – 1.8
DPS-10-B-M	DPS-10-B-F	1.2 – 2.4
DPS-10-C-M	DPS-10-C-F	1.4 – 2.8
DPS-10-D-M	DPS-10-D-F	2.0 – 3.0
DPS-10-E-M	DPS-10-E-F	2.4 – 3.6
DPS-10-F-M	DPS-10-F-F	2.8 – 4.0
DPS-10-G-M	DPS-10-G-F	4.0 – 6.0

\*Cooperation with customers with required specific settings is advisable.

### APPLICATION



Domestic



Civil



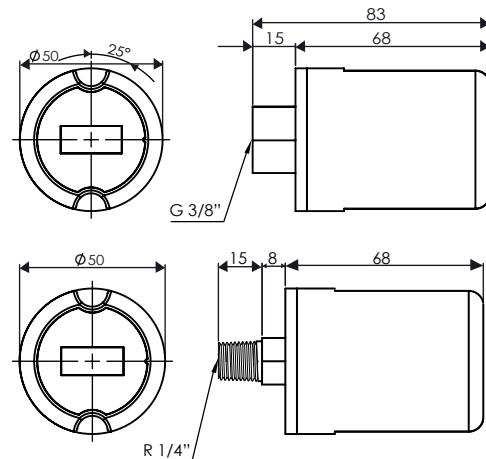
Agricultural

### TECHNICAL DATA

Power Supply	110~230Vac±10% 50/60hz
Pressure Connection	R 1/4" MALE - G 3/8" FEMALE
Port Material	POM
Enclosure size	2"
Accuracy	±0.1bar Tolerance
Output	AC 110 or AC 230V
Relay Capacity (Maximum Motor Size)	110V up to 1HP (0.75kw)
Maximum Current	12A
Sampling rate	5 times/second
Working Temperature	-10°~65°C
Ingress Protection	IP54
Display Pressure Unit	Bar

\*All technical information are subject to change without notice

### DIMENSION



Unit:mm



## EVAK PUMP TECHNOLOGY CORP.

No. 551, Zhongshan Rd., Qingshui Dist., Taichung City 436, Taiwan.  
 TEL: +886-4-26233556 Fax: +886-4-26235559