

**LIGHTWEIGHT SUBMERSIBLE DEWATERING PUMP**

**EUB**  
**EUBS AISI 304**  
**EUBI AISI 316**  
**SERIES 50HZ**



**Features**

- High resistance to abrasive liquids
- Loss wax casting AISI 304 and AISI 316 for EUBS and EUBI
- Viton gasket, O-rings, and Lip seal for EUBI (AISI 316)
- Compact & Lightweight design
- Efficient circumferential cooling for continuous duty

**Applications**

- Site drainage, mining, tunneling, public works, floods
- Cement industry, river intake, civil engineering projects
- Version "S" in AISI 304 and "I" in AISI 316 are suitable for light chemical liquids in drainage and general pumping applications

**Data Chart**

Type	Output		Discharge	F.L.A.		Rated		Maximum		Free Passage	Weight(W/O Cable)	
	HP	kW		1ø 230V	3ø 400V	Head M	Cap. LPM	Head M	Cap. LPM		mm	1ø-kg
50EUB-5.05	0.5	0.37	2"	3A	0.9A	8	125	10.5	225	6	11.3	11.3
50EUBS(I)-5.05	0.5	0.37	2"	3A	0.9A	8	125	10.5	225	6	14.1(13.8)	14.1(13.8)
50EUB-5.10	1	0.75	2"	6A	1.9A	10	225	16.5	345	6	13.7	13.7
50EUBS(I)-5.10	1	0.75	2"	6A	1.9A	10	205	15.5	330	6	17.2(16.7)	17.2(16.7)
50(80)EUB-5.20	2	1.5	2"(3")	12A	3.5A	11	275	19.5	470	6	21.1	21.1
50(80)EUBS-5.20	2	1.5	2"(3")	12A	3.5A	11	215	18	470	6	25	25

» Float switch is optional for above pump in single phase.

**Specifications**

Liquid Temperature	0~40°C (32~104°F)	
Submersible depth	10M	
<b>Motor Part</b>	Frequency	50Hz
	Pole	2 Pole
	Type	Dry Type
	Insulation	0.5~1HP:Class B ; 2HP:Class F
	Protection	IP 68
<b>Pump Part</b>	Protector	Auto-cut
	Bearing	Ball Type
	Mechanical seal	Double Mechanical Seal
	Impeller	Semi-open Impeller

KLIXON protector provides protection against overheating from all running and stalled rotor conditions including:

- Plugging duty
- Stalling or failure to start
- Heavy overloads
- High ambient
- Ventilation failures



**KLIXON**  
1PH Protector (Thermal)



**KLIXON**  
1PH Protector (optional) (overheat & overload)



**KLIXON**  
3PH Protector (overheat, overload, phase failure)



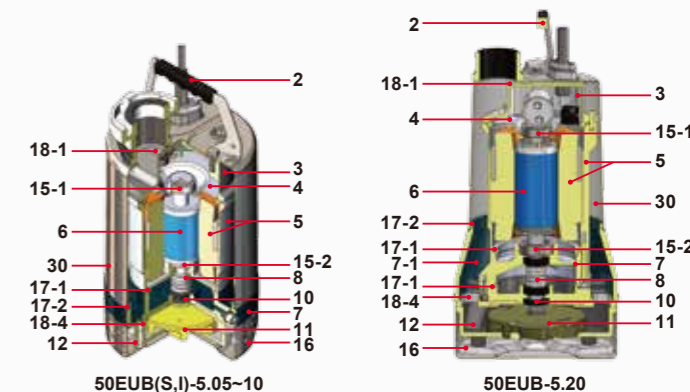
**DU PONT Hytrel**  
Steel coated with thermoplastic polyester elastomer



Loss Wax Stainless Steel AISI 304 & 316 EUBS(I) Impeller



Viton gasket, O-rings, and Lip seal for EUBI (AISI 316)

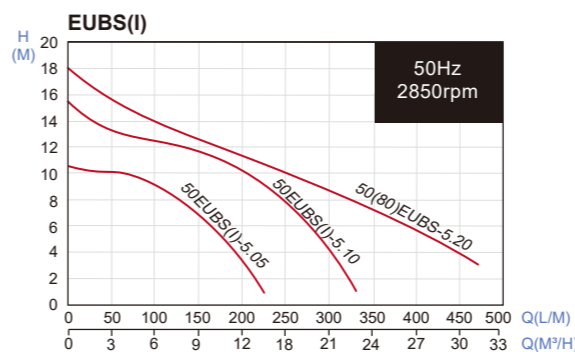
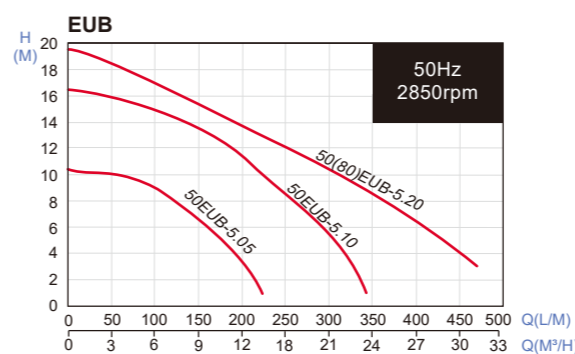


**Parts and Material List**

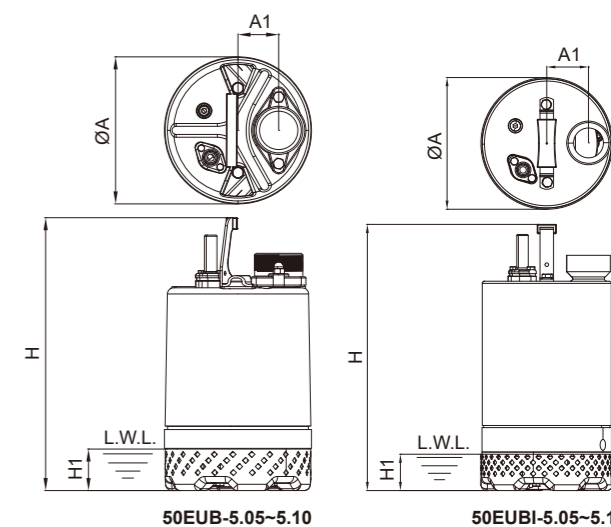
No.	Part	Material			
		EUB (0.5~1HP)	EUB (2HP)	EUBS	EUBI
2	Handle	Steel+NBR	Steel+NBR	AISI 304+NBR	AISI 304+NBR
3	Motor Cover	ADC 12	ADC 12	AISI 304	AISI 316
4	Bracket	Steel	Steel	EN-GJL-200	EN-GJL-200
5	Motor Housing + Stator	ADC12+Steel	ADC12+Steel	AISI 304	AISI 316
6	Shaft with Rotor	AISI 410	AISI 410	AISI 304	AISI 316
7	Oil Chamber	ADC 12	AISI7Mg	AISI 304	AISI 316
7-1	Oil Chamber	-	AISI7Mg	-	-
8	Mechanical Seal	CA/CE+SIC/SIC			
10	Lip Seal	NBR	NBR	NBR	VITON
11	Impeller	Hytrel	Hytrel	AISI 304	AISI 316
12	Pump Casing	EN-GJL-200	EN-GJL-200	AISI 304	AISI 316
15-1	Upper Bearing	NTN/TPI			
15-2	Lower Bearing	NTN/TPI			
16	Strainer	AISI 304	AISI 304	AISI 304	AISI 316
17-1	O-ring	NBR	NBR	NBR	VITON
17-2	O-ring	NBR	NBR	NBR	VITON
18-1	Gasket	NBR	NBR	EPDM	VITON
18-4	Volute Liner	NBR	NBR	EPDM	EPDM
30	Outer Housing	AISI 304	AISI 304	AISI 304	AISI 316

TPI is a family brand of NTN group.

**Performance Curve**



All technical information is subject to change without notice.



**Dimensions (mm)**

Type	A	A1	H	H1
50EUB-5.05	188	52	345	53
50EUBS(I)-5.05	188(184)	52	345	52
50EUB-5.10	188	52	370	53
50EUBS(I)-5.10	188(184)	52	370	52
50(80)EUB-5.20	225	52	474	81
50(80)EUBS-5.20	225	52	455	81