

**LIGHTWEIGHT SUBMERSIBLE  
RESIDUE DEWATERING PUMP**

**EUBR  
EUBRS AISI 304  
EUBRI AISI 316  
SERIES 50HZ**



**Features**

- High resistance to abrasive liquids
- Loss wax casting AISI 304 & AISI 316 for EUBRS and EUBRI
- Viton gasket, O-rings, and Lip seal for EUBRI (AISI 316)
- Compact & Lightweight design
- Puddle or residue drainage down to 3mm
- Efficient circumferential cooling for continuous duty

**Applications**

- Site drainage, mining, tunneling, public works, floods
- Cement industry, river intake, civil engineering projects
- Basement, parking lots, removing residue water (EUBR/EUBRS/EUBRI)
- Version "S" in AISI 304 and "I" in AISI 316 are suitable for light chemical liquids in drainage and general pumping applications

**Data Chart**

Type	Output		Discharge	F.L.A.		Rated		Maximum		Free Passage	Weight(W/O Cable)
	HP	kW		1 $\phi$ 230V	3 $\phi$ 400V	Head M	Cap. LPM	Head M	Cap. LPM		
50EUBR-5.05	0.5	0.37	2"	3A	0.9A	8	115	11	205	2	12
50EUBRS(I)-5.05	0.5	0.37	2"	3A	0.9A	8	130	11.5	230	2	14.6(13.8)
50EUBR-5.10	1	0.75	2"	6.3A	1.9A	10	225	17	320	2	14.5
50EUBRS(I)-5.10	1	0.75	2"	6A	1.9A	10	220	16	330	2	17.8(16.5)

**Specifications**

Liquid Temperature	0~40°C (32~104°F)	
Submersible depth	10M	
<b>Motor Part</b>	Frequency	50Hz
	Pole	2 Pole
	Type	Dry Type
	Insulation	Class B
	Protection	IP 68
	Protector	Auto-cut
<b>Pump Part</b>	Bearing	Ball Type
	Mechanical seal	Double Mechanical Seal
	Impeller	Semi-open Impeller

**KLIXON**  
1PH Protector (Thermal)

**KLIXON**  
1PH Protector (optional) (overheat & overload)

**KLIXON**  
3PH Protector (overheat, overload, phase failure)

**DU PONT Hytrel**  
Steel coated with thermoplastic polyester elastomer

**Loss Wax Stainless Steel AISI 304 & 316 EUBRS(I) Impeller**

**Viton gasket, O-rings, and Lip seal for EUBRI (AISI 316)**

**KLIXON** protector provides protection against overheating from all running and stalled rotor conditions including:

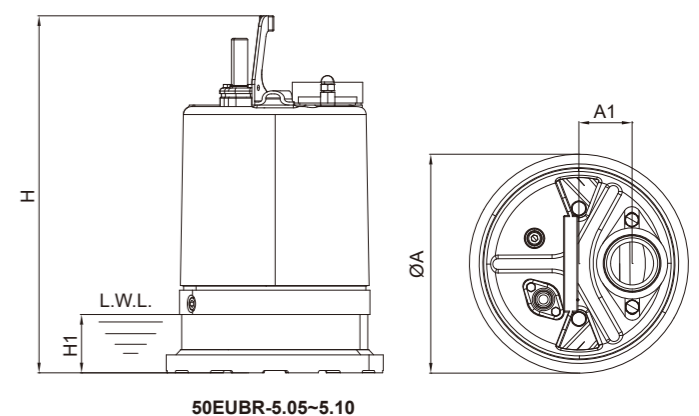
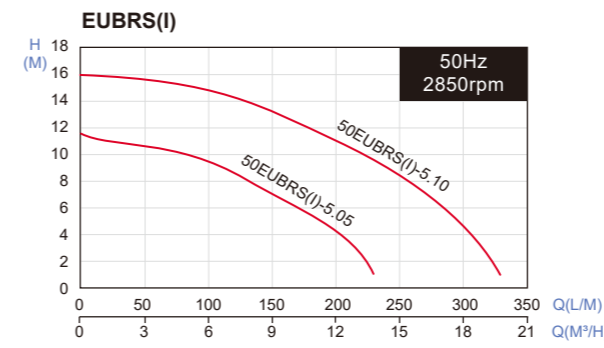
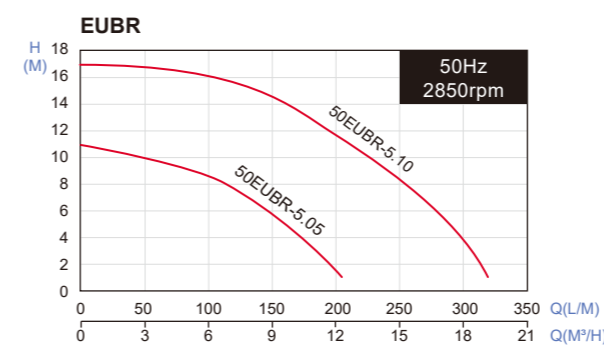
- Plugging duty
- Stalling or failure to start
- Heavy overloads
- High ambient
- Ventilation failures

**Parts and Material List**

No.	Part	Material		
		EUBR	EUBRS	EUBRI
2	Handle	Steel+NBR	AISI 304+NBR	AISI 304+NBR
3	Motor Cover	ADC 12	AISI 304	AISI 316
4	Bracket	Steel	EN-GJL-200	EN-GJL-200
5	Motor Housing + Stator	ADC 12+Steel	AISI 304	AISI 316
6	Shaft with Rotor	AISI 410	AISI 304	AISI 316
7	Oil Chamber	ADC 12	AISI 304	AISI 316
8	Mechanical Seal	CA/CE+SIC/SIC		
10	Lip Seal	NBR	NBR	VITON
11	Impeller	Hytrel	AISI 304	AISI 316
12	Pump Casing	EN-GJL-200	AISI 304	AISI 316
15-1	Upper Bearing	NTN/TPI		
15-2	Lower Bearing	NTN/TPI		
16	Strainer	NBR	EPDM	EPDM
17-1	O-ring	NBR	NBR	VITON
17-2	O-ring	NBR	NBR	VITON
18-1	Gasket	NBR	EPDM	VITON
18-4	Volute Liner	NBR	EPDM	EPDM
30	Outer Housing	AISI 304	AISI 304	AISI 316
32	Pump Housing Ring	AISI 304	AISI 304	AISI 316

TPI is a family brand of NTN group.

**Performance Curve**



**Dimensions (mm)**

Type	A	A1	H	H1
50EUBR-5.05	214	52	347	52
50EUBRS(I)-5.05	184	52	345	52(50)
50EUBR-5.10	214	52	372	52
50EUBRS(I)-5.10	184	52	370	52(50)

All technical information is subject to change without notice.