



SUBMERSIBLE CUTTER PUMP

LEOPARD

SERIES 50HZ



Features

- Non clog operation with cutting action
- Robust construction
- EKK Eagle Burgmann double mechanical seal CA/CE & SIC/SIC
- Built-in motor protection
- Tungsten Edge hardness is 89HRA
- Volute 4 inch connection available in JIS 10K, ANSI 125/150 and DIN PN10/16
- 3HP volute connection available for 3 inch in DIN PN10/16
- Adjustable clearance construction to maintain performance

Applications

- Sewage
- Wastewater
- Storm water drainage
- Commercial building

Specifications

| | | |
|--------------------|-----------------|----------------------------|
| Liquid Temperature | | 0~40°C (32~104°F) |
| Submersible depth | | 10M |
| Motor Part | Frequency | 50Hz |
| | Pole | 4 Pole |
| | Type | Dry Type |
| | Insulation | Class F |
| Pump Part | Protection | IP 68 |
| | Protector | Auto-cut |
| | Bearing | Ball Type |
| | Mechanical seal | Double Mechanical Seal |
| Impeller | | Semi-open Channel Impeller |

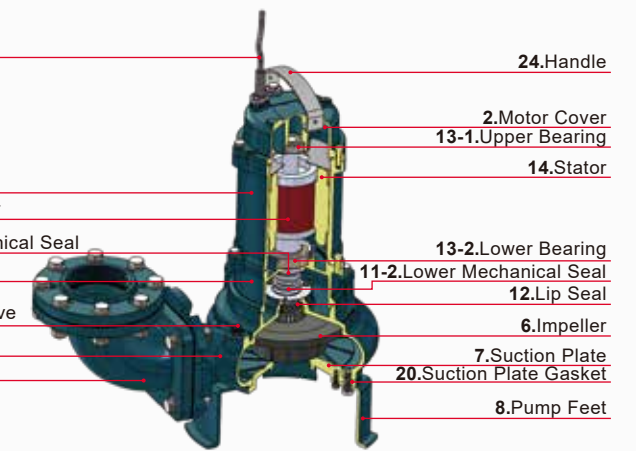
Data Chart

| Type | Output | | Discharge | F.L.A. | | Rated | | Maximum | | Free Passage | Weight(W/O Cable) | | Q.D.C. |
|---------------------|--------|-----|-----------|---------|---------|--------|----------|---------|----------|--------------|-------------------|-------|--------|
| | HP | kW | | 1ø 230V | 3ø 400V | Head M | Cap. LPM | Head M | Cap. LPM | | mm | 1ø-kg | |
| 80(100)LEOPARD-5.30 | 3 | 2.2 | 3"(4") | - | 5A | 8 | 700 | 14 | 1400 | 56 | - | 75 | QL-100 |
| 100LEOPARD-5.50 | 5 | 3.7 | 4" | - | 8.2A | 11 | 800 | 16 | 1900 | 80 | - | 90 | QL-100 |
| 100LEOPARD-5.75 | 7.5 | 5.5 | 4" | - | 12.1A | 13 | 800 | 18 | 2300 | 68 | - | 140 | QL-100 |
| 100LEOPARD-5.100 | 10 | 7.5 | 4" | - | 15.9A | 16 | 850 | 23 | 2500 | 68 | - | 166 | QL-100 |

Section View

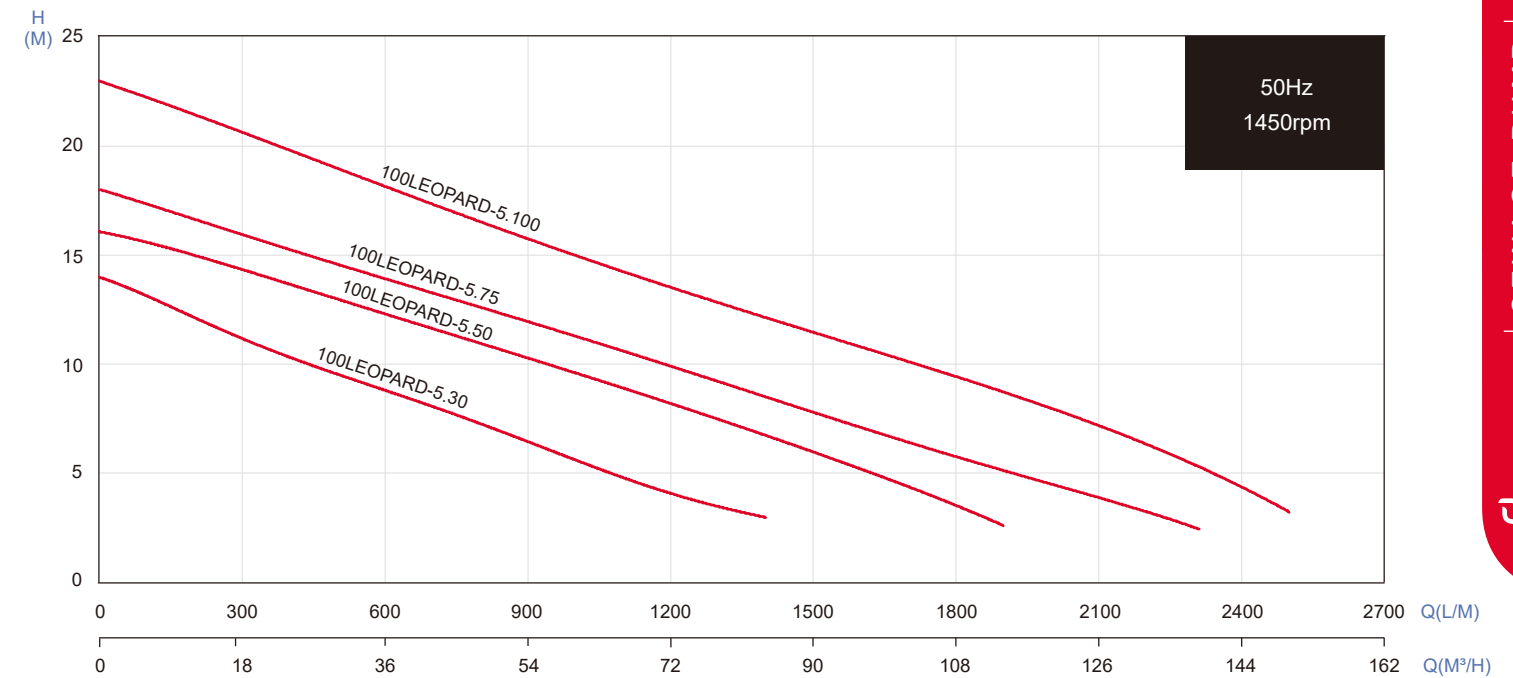


100LEOPARD-5.30~100 with QL-100 Q.D.C.

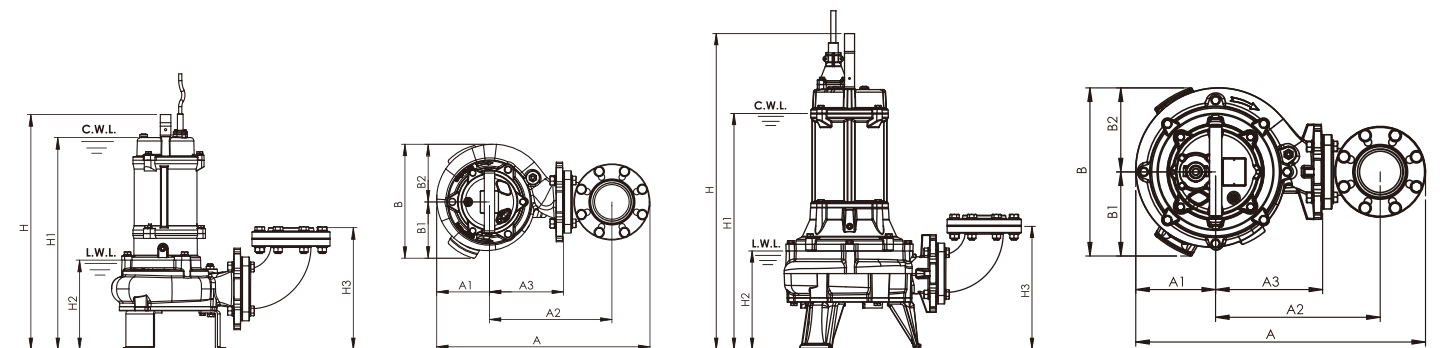


- 1.Cable
- 24.Handle
- 2.Motor Cover
- 13-1.Upper Bearing
- 14.Stator
- 3.Motor Housing
- 15.Shaft with Rotor
- 11-1.Upper Mechanical Seal
- 11-2.Lower Mechanical Seal
- 13-2.Lower Bearing
- 4.Oil Chamber
- 12.Lip Seal
- 22.Air Release Valve
- 6.Impeller
- 5.Volute
- 7.Suction Plate
- 9.Discharge Elbow
- 20.Suction Plate Gasket
- 8.Pump Feet

Performance Curve



All technical information is subject to change without notice.



100LEOPARD-5.30~50

100LEOPARD-5.75~100

Dimensions (mm)

| Type | A | A1 | A2 | A3 | B | B1 | B2 | H | H1 | H2 | H3 |
|---------------------|-----|-----|-----|-----|-----|-----|-----|-----|-----|-----|-----|
| 80(100)LEOPARD-5.30 | 615 | 152 | 352 | 212 | 330 | 163 | 167 | 664 | 597 | 253 | 345 |
| 100LEOPARD-5.50 | 619 | 159 | 348 | 207 | 338 | 163 | 175 | 752 | 686 | 274 | 346 |
| 100LEOPARD-5.75 | 705 | 195 | 400 | 260 | 410 | 205 | 205 | 935 | 700 | 292 | 365 |
| 100LEOPARD-5.100 | 705 | 195 | 400 | 260 | 410 | 205 | 205 | 952 | 743 | 292 | 365 |