

STAINLESS STEEL AISI 316
SUBMERSIBLE VORTEX SEWAGE PUMP

STEEL
SERIES 50HZ



50(80)STEEL-5.20~30

50STEEL-5.05~10

Watertight Corrugated Cable Sleeve (optional)
Acid/Alkali Resistant Plastic Composite Material

Features

- Vortex impeller design
- Loss wax Stainless Steel AISI 316
- Large impeller clearance
- Viton gaskets, o-rings and lip seal are used throughout pump sealing
- Optional epoxy based nano-coating to extend pump life time
- Optional acid/alkali resistant cable sleeve

Applications

- Drainage for typical, chemical, pharmaceutical industries
- Wastewater with corrosive contaminant
- Wastewater treatment plant

Data Chart

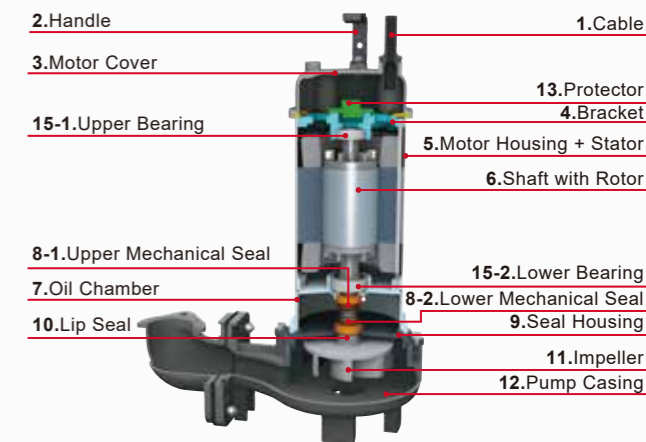
Type	Output		Discharge	F.L.A.		Rated		Maximum		Free Passage	Weight(W/O Cable)		Q.D.C.
	HP	KW		1ø	3ø	Head	Cap. LPM	Head	Cap. LPM		mm	1ø-kg	
50STEEL-5.05	0.5	0.37	2"	3.5A	1.4A	5.4	200	9.5	360	35	13	12.4	SQS-50
50STEEL-5.10	1	0.75	2"	6A	2.5A	9	250	14	470	35	15.4	15.7	SQS-50
50(80)STEEL-5.20	2	1.5	2"(3")	10.5A	4.5A	12	375	19	630	45	31.2	29.7	SQM-80
50(80)STEEL-5.30	3	2.2	2"(3")	12.6A	5.7A	14.7	360	21.5	700	45	32.8	31.3	SQM-80
80(100)STEEL-5.50	5	3.7	3"(4")	-	7.2A	13	500	22	1000	45	-	48	SQM-100
80(100)STEEL-5.75	7.5	5.5	3"(4")	-	10.8A	18	595	27	1110	45	-	53.8	SQM-100
80(100)STEEL-5.100	10	7.5	3"(4")	-	15A	25	600	33	1300	34	-	71.5	SQM-100
80(100)STEEL-5.150	15	11	3"(4")	-	18A	26.5	846	39.7	1352	25	-	81.5	SQM-100

» 50STEEL-5.05~10 : Flange Type

» 50(80)STEEL-5.20~30 : Elbow Type

» 80(100)STEEL-5.50~150 : Elbow Type

Section View



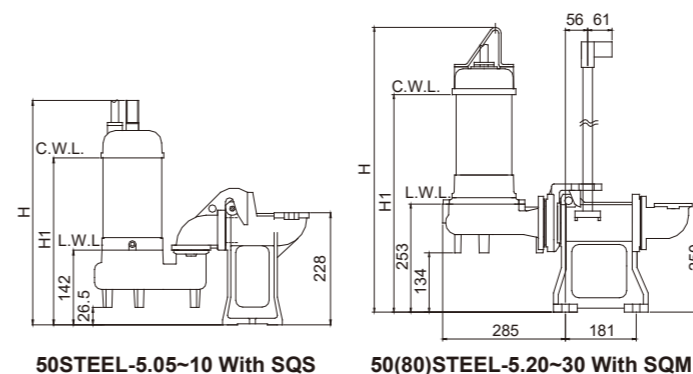
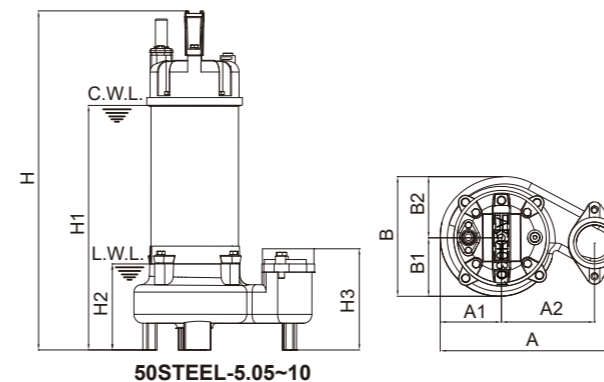
Dimensions (mm)

Type	A	A1	A2	A3	B	B1	B2	H	H1	H2	H3
50STEEL-5.05	228	75	120	N/A	150	70	80	425	297	117	138
50STEEL-5.10	228	75	120	N/A	150	70	80	455	327	117	138
50(80)STEEL-5.20	390	103	235	154	208	104	104	532	400	150	152
50(80)STEEL-5.30S(T)	390	103	235	154	208	104	104	572(552)	440(420)	150	152
80(100)STEEL-5.50	466	100	274	177	210	95	115	633	468	160	225
80(100)STEEL-5.75	466	100	274	177	210	95	115	673	508	160	225
80(100)STEEL-5.100	488	125	270	176	251	125	127	630	515	181	261
80(100)STEEL-5.150	488	125	270	176	251	125	127	630	565	181	261

» Note1 : S: Single Phase ; T: Three Phase

» Note2 : Automatic models are available in single-phase versions(0.5~3HP).

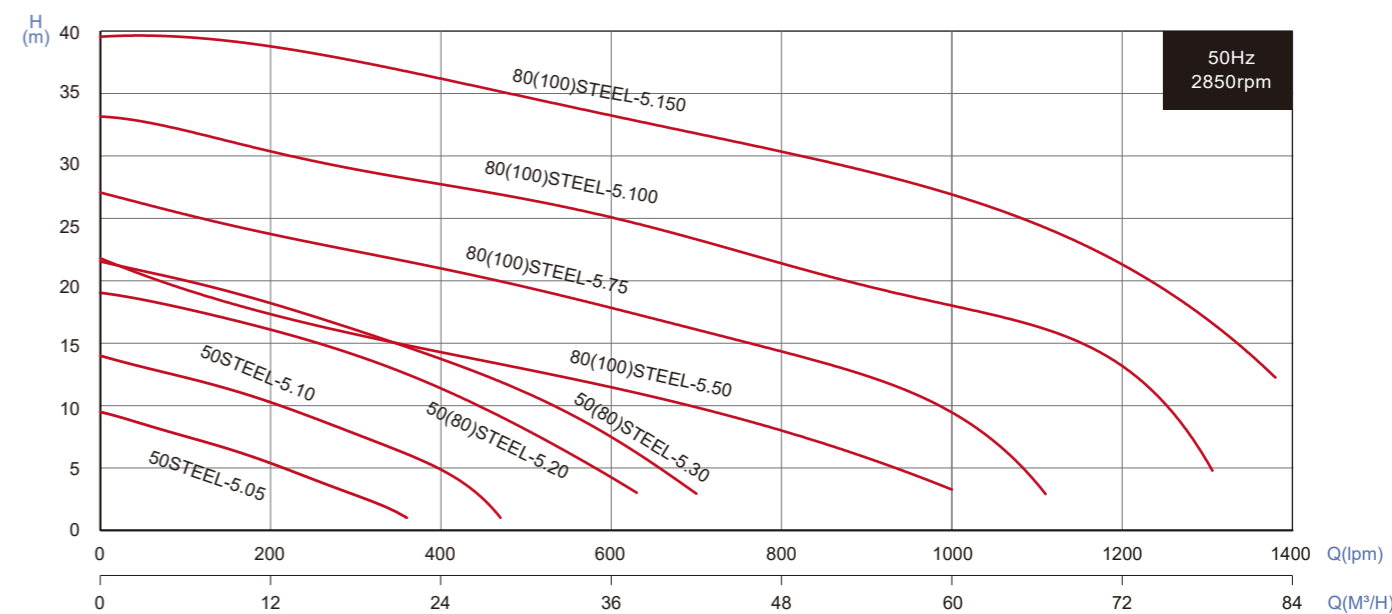
» Note3 : Q.D.C. (Quick Discharge Connection) is available for all models.



STEEL with SQS/SQM

Type	Output		Discharge		Dimensions(mm)	
	HP	KW	Inch	mm	H	H1
STEEL with SQS	0.5	0.37	2"	50	445	322
	1	0.75	2"	50	475	352
	2	1.5	2"(3")	50(80)	660	534
STEEL with SQM	3	2.2	2"(3")	50(80)	S:710;T:690	S:574;T:554
	5	3.7	3"(4")	80(100)	739	574
	7.5	5.5	3"(4")	80(100)	779	614
	10	7.5	3"(4")	80(100)	736	620
	15	11	3"(4")	80(100)	786	670

Performance Curve



All technical information is subject to change without notice.