

STAINLESS STEEL AISI 316
SUBMERSIBLE VORTEX SEWAGE PUMP

STEEL
SERIES 60HZ



50(80)STEEL-6.20~30

50STEEL-6.05~15

Watertight Corrugated Cable Sleeve (optional)
Acid/Alkali Resistant Plastic Composite Material

Features

- Vortex impeller design
- Loss wax Stainless Steel AISI 316
- Large impeller clearance
- Viton gaskets, o-rings and lip seal are used throughout pump sealing
- Optional epoxy based nano-coating to extend pump life time
- Optional acid/alkali resistant cable sleeve

Applications

- Drainage for typical, chemical, pharmaceutical industries
- Wastewater with corrosive contaminant
- Wastewater treatment plant

Data Chart

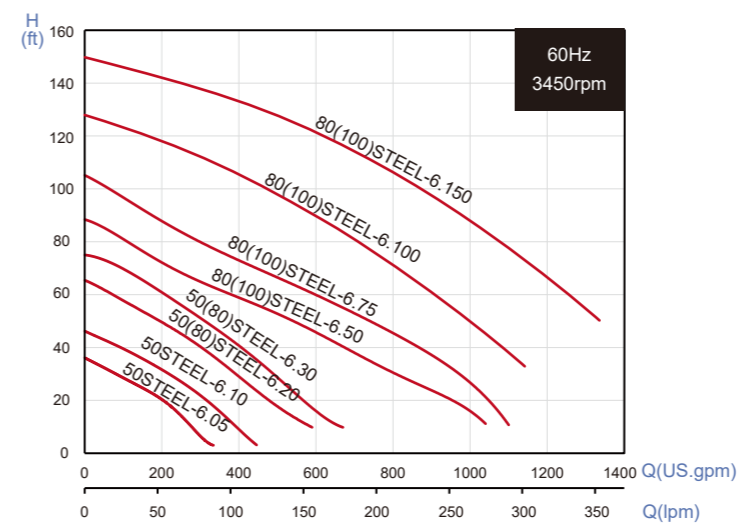
Type	Output		Discharge	F.L.A.			Rated		Maximum		Free Passage	Weight(W/O Cable)		Q.D.C.
	HP	KW		1ø 230V	3ø 230V	3ø 460V	Head FT	Cap. GPM	Head FT	Cap. GPM		mm	1ø-kg	
50STEEL-6.05	0.5	0.37	2"	4A	2.8A	1.4A	19.7	55	36	88	35	13	12.4	SQS-50
50STEEL-6.10	1	0.75	2"	6A	4A	2A	29.5	60	46	118	35	15.4	15.7	SQS-50
50(80)STEEL-6.20	2	1.5	2"(3")	11A	7A	3.5A	36	90	65.5	155.8	45	31.2	29.7	SQM-80
50(80)STEEL-6.30	3	2.2	2"(3")	11A	8A	4.5A	39	110	75.5	177	45	32.8	31.3	SQM-80
80(100)STEEL-6.50	5	3.7	3"(4")	-	15A	8A	56	120	88.5	275	45	-	48	SQM-100
80(100)STEEL-6.75	7.5	5.5	3"(4")	-	21A	10.5A	64	145	105	290.5	45	-	53.8	SQM-100
80(100)STEEL-6.100	10	7.5	3"(4")	-	26.7A	13.7A	82	185	125	300	34	-	71.5	SQM-100
80(100)STEEL-6.150	15	11	3"(4")	-	38.3A	19A	109	200	150	352	25	-	81.5	SQM-100

» 50STEEL-6.05~10 : Flange Type

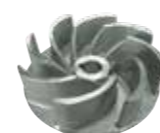
» 50(80)STEEL-6.20~30 : Elbow Type

» 80(100)STEEL-6.50~150 : Elbow Type

Performance Curve



All technical information is subject to change without notice.



Vortex Impeller
Stainless Steel AISI 316



Mechanical Seal
(EKK Eagle Burgmann)



Long life Bearing



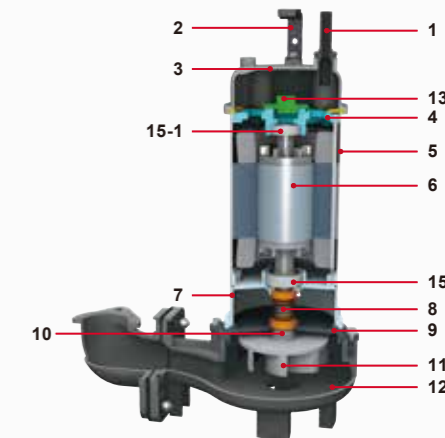
Gaskets, O-rings, Lip seal and Cable gland made in Viton material



SQS(0.5HP~1HP)
AISI 316



SQM(2HP~15HP)
AISI 316



Parts and Material List

No.	Part	Material
1	Cable	H07RN-F/SJTOW/STOW
2	Handle	Nylon 6(0.5-1HP) ; AISI 316 (2-15HP)
3	Motor Cover	AISI 316
4	Bracket	ASTM A48 Class 30
5	Motor Housing + Stator	AISI 316
6	Shaft with Rotor	AISI 316
7	Oil Chamber	ASTM A48 Class 30(0.5-1HP) ; AISI 316(2-15HP)
8	Mechanical Seal	Upper : CA / CE Lower : SIC / SIC
9	Seal Housing	AISI 316
10	Lip Seal	Viton
11	Impeller	AISI 316
12	Pump Casing	AISI 316
13	Protector	KLIXON
15-1	Upper Bearing	NTN/TPI
15-2	Lower Bearing	NTN/TPI

TPI is a family brand of NTN group.

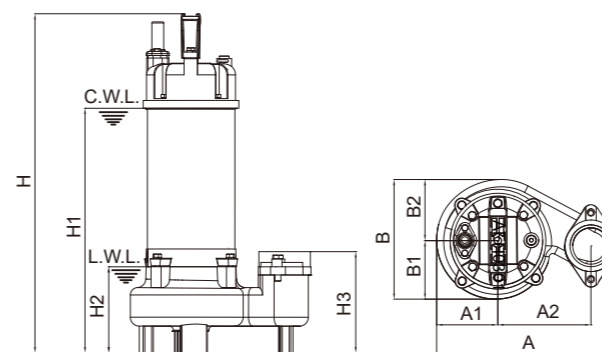
Dimensions (mm)

Type	A	A1	A2	A3	B	B1	B2	H	H1	H2	H3
50STEEL-6.05	228	75	120	N/A	150	70	80	425	297	117	138
50STEEL-6.10	228	75	120	N/A	150	70	80	455	327	117	138
50(80)STEEL-6.20	390	103	235	154	208	104	104	532	400	150	152
50(80)STEEL-6.30S(T)	390	103	235	154	208	104	104	572(552)	440(420)	150	152
80(100)STEEL-6.50	466	100	274	177	210	95	115	633	468	160	225
80(100)STEEL-6.75	466	100	274	177	210	95	115	673	508	160	225
80(100)STEEL-6.100	488	125	270	176	251	125	127	630	515	181	261
80(100)STEEL-6.150	488	125	270	176	251	125	127	680	565	181	261

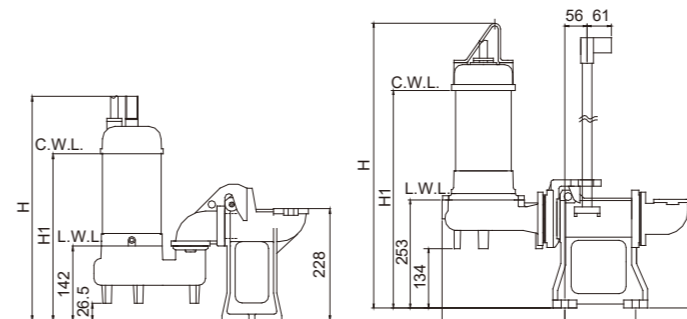
» Note1 : S: Single Phase ; T: Three Phase

» Note2 : Automatic models are available in single-phase versions(0.5~3HP).

» Note3 : Q.D.C. (Quick Discharge Connection) is available for all models.



50STEEL-6.05~10



50STEEL-6.05~10 With SQS

50(80)STEEL-6.20~30 With SQM

STEEL with SQS/SQM

Type	Output		Discharge		Dimensions(mm)	
	HP	KW	Inch	mm	H	H1
STEEL with SQS	0.5	0.37	2"	50	445	322
	1	0.75	2"	50	475	352
	2	1.5	2"(3")	50(80)	660	534
STEEL with SQM	3	2.2	2"(3")	50(80)	S:710;T:690	S:574;T:554
	5	3.7	3"(4")	80(100)	739	574
	7.5	5.5	3"(4")	80(100)	779	614
	10	7.5	3"(4")	80(100)	736	620
	15	11	3"(4")	80(100)	786	670